

## FEATURES

**Inlet Port** - The angular shape of the inlet port reduces pressure loss to help optimize disc positioning and minimize valve chatter.

**Conical Disc** - The disc's angle and convex profile centralizes the force of the line media to maintain a stable disc operation.

**External Spring, Lever, and Damper** - May be assembled in right-hand or left-hand configuration.

## DESIGN

**External Spring** - The adjustable extension spring provides external force to assist in quick valve closure to prevent water hammer. Spring torque is easily altered by adjusting position of the eye bolt connected to spring. This can be done without removing the valve from line or isolating it from service.

**Adjustable Shaft Seals** - Sizes 14" - 24" series SDX external mechanisms are sealed using adjustable packing glands, allowing for longer service life and in-line repairs.

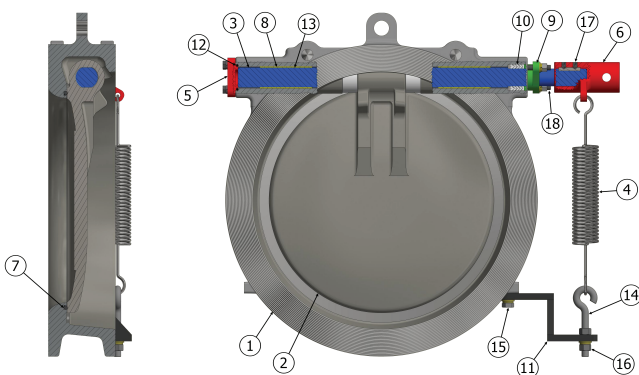
**External Lever** - The external lever may be used as a visual position indicator, and comes standard with high visibility rubberized yellow coating



## SELECTION CHART

Size	Body	Disc	Seal	ASME Class
14" - 24"	316SS (ASTM A351 Gr CF8M)	316 SS	Integral Metal Buna-N	150
	Carbon Steel (ASTM A216 Gr WCB)	316 SS	EPDM Viton®	150
	Ductile Iron (ASTM A395 Gr 60-40-18)	304 SS	Teflon® Other - POA	125

## PARTS DESCRIPTION



Component	Material	Component	Material
(1) Body	316SS / CS / DI	(10) Gland Packing	* As Specified
(2) Disc	304SS / 316SS	(11) Bracket	Carbon Steel
(3) Shaft	316SS	(12) Seal	* As Specified
(4) Spring	316SS	(13) Bearing	PTFE
(5) Bottom Cover	Carbon Steel	(14) Eye Bolt	Carbon Steel
(6) Spring Adaptor	Carbon Steel	(15) Bolt	Carbon Steel
(7) Seat	* As Specified	(16) Nut	Alloy Steel
(8) Bushing	Steel Backing / Teflon	(17) Set Screw	Carbon Steel
(9) Gland	316SS	(18) Stud	304SS



**CHAMPION VALVES INC.**

# MODEL SDX™ SINGLE DISC WAFER CHECK VALVE 14" - 24" EXTERNAL SPRING

## FIGURE NUMBER INFORMATION

Order Example : Specifications call for 14" Champion Valves Inc. Single Disc Wafer Check Valve Model SDX, ASME 150, 316 Stainless Steel Body with 316 Stainless Steel Disc; PTFE Seat; 316 Stainless Steel Spring; Right Hand External Mount

SIZE	MODEL	PRESSURE CLASS	BODY	DISC	SEAT	SPRING	END CONNECTION	ACCESSORY
14	SDX	15	S	S	T	S	R	1

SIZE	ORDER SYMBOL
14"	14
16"	16
18"	18
20"	20
24"	24

MODEL	ORDER SYMBOL
SDX	SDX

PRESSURE CLASS	ORDER SYMBOL
ASME 125	12
ASME 150	15

BODY	ORDER SYMBOL	SPECIFICATION
Ductile Iron	L	ASTM A395 60-40-18
Carbon Steel	C	ASTM A216 WCB
316 SS	S	ASTM A351 CF8M

DISC	ORDER SYMBOL	SPECIFICATION
304 SS	T	ASTM A351 CF8
316 SS	S	ASTM A351 CF8M

SEAT	ORDER SYMBOL	TEMPERATURE	
		°F MIN	°F MAX
Buna	B	-70	250
EPDM	E	0	300
Viton	V	-40	400
PTFE	T	-40	300
Integral Metal	P	-40	400

SPRING	ORDER SYMBOL
316 SS	S

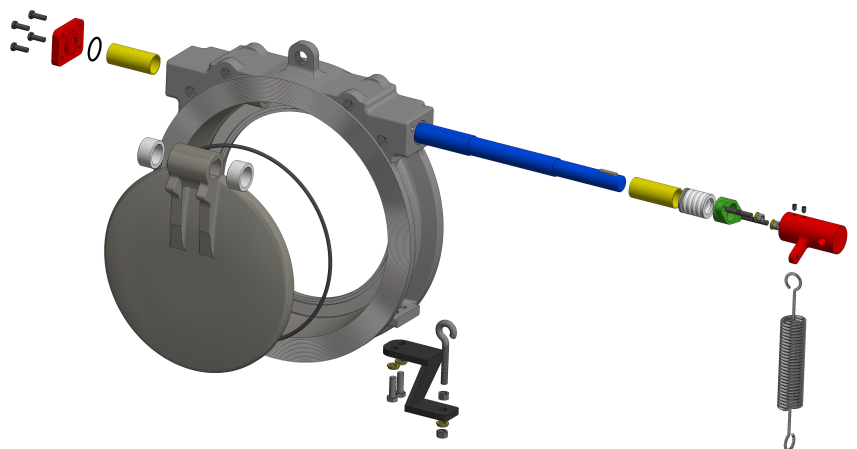
END CONNECTION	ORDER SYMBOL
Plain Face	P
Raised Face	R

ACCESSORY	ORDER SYMBOL
External Spring	1
External Spring & Position Indicator	3
External Spring & Damper	D

## RATINGS AND DIMENSIONS

ID		FACE TO FACE	
NPS/IN	DN/MM	IN	MM
14	350	4.25	109
16	400	4.25	109
18	450	4.25	109
20	500	5.50	140
24	600	6.06	154

\* Apply for certified drawings



### QUALITY ASSURANCE

Champion Valves, Inc. is dedicated to the goal of total quality management to provide industry leading products and services to our customers. Please consult the factory with any questions or requests.

**CHAMPION VALVES INC.**

P.O. BOX 12901, WILMINGTON, NC 28405

PHONE: 910-794-5547

FAX: 910-794-5581

E-MAIL: SALES@WAFERCHECK.COM

WWW.WAFERCHECK.COM