



**CHAMPION VALVES INC**

**MODEL SCT™  
THREADED STYLE  
SILENT CHECK VALVE**

**FEATURES**

- Non-Slam, Reliable Performance
- Excellent Pressure Loss and Flow Characteristics
- Long Service Life
- Suitable for a Wide Range of Applications
- Liquid, Steam and Gas Service Compatible (Consult factory for steam service applications)
- Economical Design with High Quality Performance



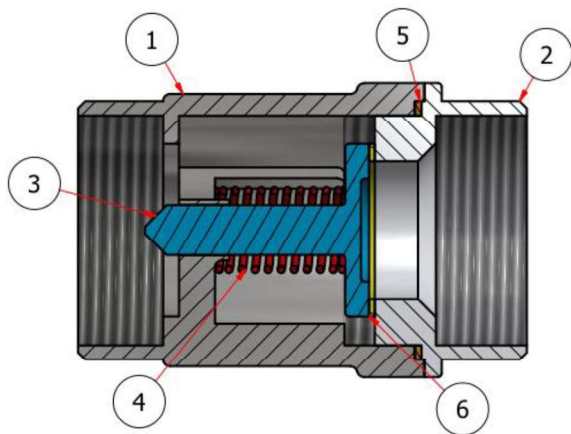
**TECHNICAL**

- Size range: ¼" – 4"
- Pressure Rating: ASME 300
- End Connection: ASME B1.20.1 NPT Thread
- Materials of Construction: ASTM A351 Gr. CF8M Body and Disc
- Seat Materials: PTFE/Integral Metal
- Spring-Loaded, Lightweight Disc
- Valve Guide Utilizes Three-Diffuser Support System
- Precision Machined Seat
- Alignment: Horizontal or Vertical (Consult factory for vertical installation)

**SELECTION CHART**

Size	Body	Disc	Seals	Pressure Rating
¼" – 4"	316 SS (CF8M)	316 SS	Integral Metal	ASME 300
¼" – 4"	316 SS (CF8M)	316 SS	PTFE	ASME 300

**MATERIALS OF CONSTRUCTION**



Component	Material	Grade
(1) Body	316 SS	ASTM A351 Gr. CF8M
(2) End Cap	316 SS	ASTM A351 Gr. CF8M
(3) Disc	316 SS	ASTM A351 Gr. CF8M
(4) Spring	316 SS	ASTM A351 Gr. CF8M
(5) Seal Ring	PTFE	ASTM D3294
Component	Material	Temperature
(6) Seat	Integral Metal	-100°F to 500°F (-73°C to 260°C)
	PTFE	-40°F to 300°F (-40°C to 149°C)



**CHAMPION VALVES INC.**

# MODEL SCT THREADED STYLE SILENT CHECK VALVE

## FIGURE NUMBER INFORMATION

Order Example : Specifications call for 1" Champion Valves Inc. Threaded End Silent Check Valve Model SCT, ASME 300, 316 Stainless Steel Body with 316 Stainless Steel Disc; PTFE Seat; 316 Stainless Steel Spring; NPT Threaded End Connection

SIZE	MODEL	BODY	DISC	SEAT	SPRING	END CONNECTION	MODIFICATION NUMBER
1.0	SCT	S	S	T	S	T	

SIZE	ORDERING DESIGNATION
1/4"	.25
3/8"	.38
1/2"	0.5
3/4"	0.7
1"	1.0
1 - 1/4"	1.2
1 - 1/2"	1.5
2"	2.0
2 - 1/2"	2.5
3"	3.0
4"	4.0

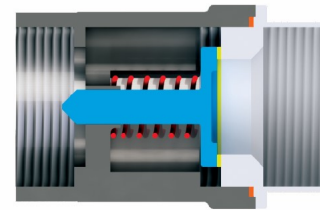
BODY	ORDERING DESIGNATION
316 SS	S

DISC	ORDERING DESIGNATION
316 SS	S

SEAT	ORDERING DESIGNATION
316 SS	S
PTFE	T

SPRING	ORDERING DESIGNATION
316 SS	S

END CONNECTION	ORDERING DESIGNATION
NPT THREAD	T



## RATINGS AND DIMENSIONS

ID		FACE TO FACE		WEIGHT		RATING
NPS/IN	DN/MM	IN	MM	LBS	KGS	C <sub>v</sub>
1/4	6	2	51	0.35	0.16	2.1
3/8	10	2	51	0.40	0.18	2.7
1/2	15	2.313	59	0.50	0.23	3.6
3/4	20	2.875	73	0.65	0.29	6.6
1	25	3.5	89	1.0	0.45	11.0
1 - 1/4	32	4.188	106	1.5	0.68	17.0
1 - 1/2	40	5	127	2.5	1.1	24.4
2	50	5	127	3.3	1.5	43.6
2 - 1/2	65	5.688	145	9.0	4.08	68.7
3	80	6.313	160	14.0	6.35	99.7
4	100	7.313	185	24.0	10.88	179.3

\* Approximate weight and dimensions. Apply for certified drawings

## QUALITY ASSURANCE

Champion Valves, Inc. is dedicated to the goal of total quality management to provide industry leading products and services to our customers. Please consult the factory with any questions or requests.



Quality  
ISO 9001



**CHAMPION VALVES INC.**

P.O. BOX 12901, WILMINGTON, NC 28405

PHONE: 910-794-5547

FAX: 910-794-5581

E-MAIL: SALES@WAFERCHECK.COM

WWW.WAFERCHECK.COM