

ACCUTRAK™ ROTARY POSITION MONITORS

WEATHERPROOF – NEMA

Weatherproof rotary position monitors with the option of high-performance resin, powder-coated aluminium and stainless steel enclosures. Impervious to moisture, chemicals and solvents, they offer a range of switching options



FEATURES

Models 1040/9358/2004/9044/9467

- Touch set cams are hand adjustable, spring loaded and self-locking providing quick calibration of position switches and sensors.
- Terminal strips are pre-wired and numbered with generous working space for ease of use.
- Strong durable Beacon™ offers 360° visual indication available in a choice of styles and colors.
- Additional conduit for easy field wiring and mounting accessories as standard.
- Standardized mounting pattern for easy adaptation to common bracketry.
- NAMUR shaft output compliant to VDI/VDE 3845 available.
- Analog position transmitter option.
- Engineered resin enclosure is robust yet lightweight; allows broad operating temperatures and provides exceptional chemical, UV and impact resistance.
- Aluminum enclosures with ultra-low copper content (0.2% maximum) ensure robust performance in corrosive environments.
- Heavy Duty 316 stainless steel enclosure available.

TECHNICAL DATA

Agency approvals

Enclosure standards (ANSI/NEMA 250)

Models 1040, 9358, 2004, 9044, 9467 NEMA 4, 4X

Switches

Models 1040

V3 mechanical, SPDT

Model 2004

V3 mechanical, SPDT

DPDT (Form CC) mechanical

Model 9358

Magnum (hermetically sealed proximity type) switches

Model 9044

Magnum (hermetically sealed proximity type) switches

MagPAC bifurcated switch pack

Model 9467

V3 mechanical, SPDT

V3 mechanical, gold plated contacts, SPDT

DPDT (Form CC) mechanical

Enclosures

Models 1040, 9358

Engineered resin

Models 2004, 9044

Aluminum

Model 9467

Engineered resin, Stainless steel (option)

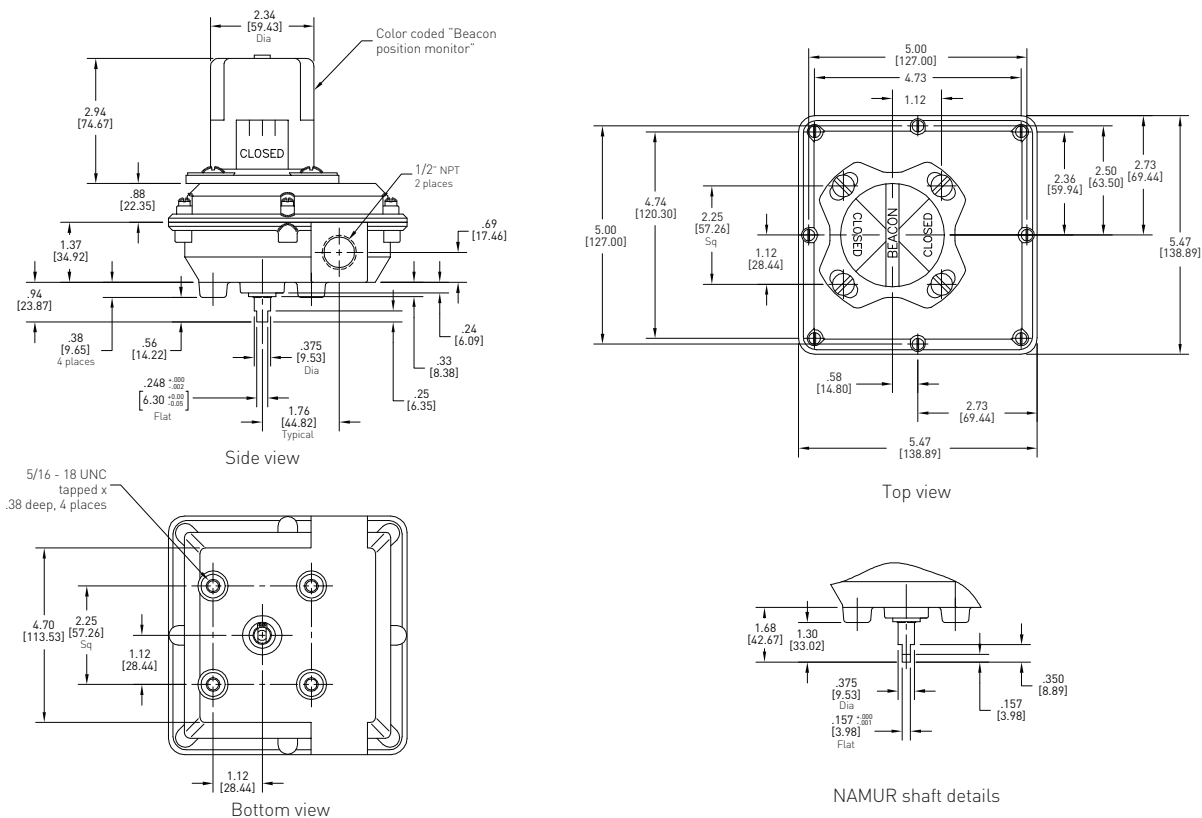
GENERAL APPLICATION

AccuTrak position monitors are ideal for manual and automated rotary valves. They provide consistent and accurate valve monitoring in a compact unit which can be mounted directly or via a valve actuator.

ACCUTRAK™ ROTARY POSITION MONITORS

WEATHERPROOF – NEMA

MODELS 1040/9358 DIMENSIONS



Dimensions in inches, where available metric dimension (mm) in parentheses

TECHNICAL SPECIFICATIONS

Materials of construction

Enclosure	Engineered resin
Shaft and hardware	Stainless steel
Internal threaded inserts	Brass
Bushing	Oil impregnated bronze
Beacon visual indicator	Co-polyester

Drive shaft

Standard	Double-D with 1/4" A/F
Option	NAMUR standard VDI/VDE 3845

Available switches

Model 1040	V3 mechanical switches, SPDT
Model 9358	Magnum, SPDT hermetically sealed switches with tungsten contacts
	Magnum, SPDT hermetically sealed switches with rhodium contacts

NOTES

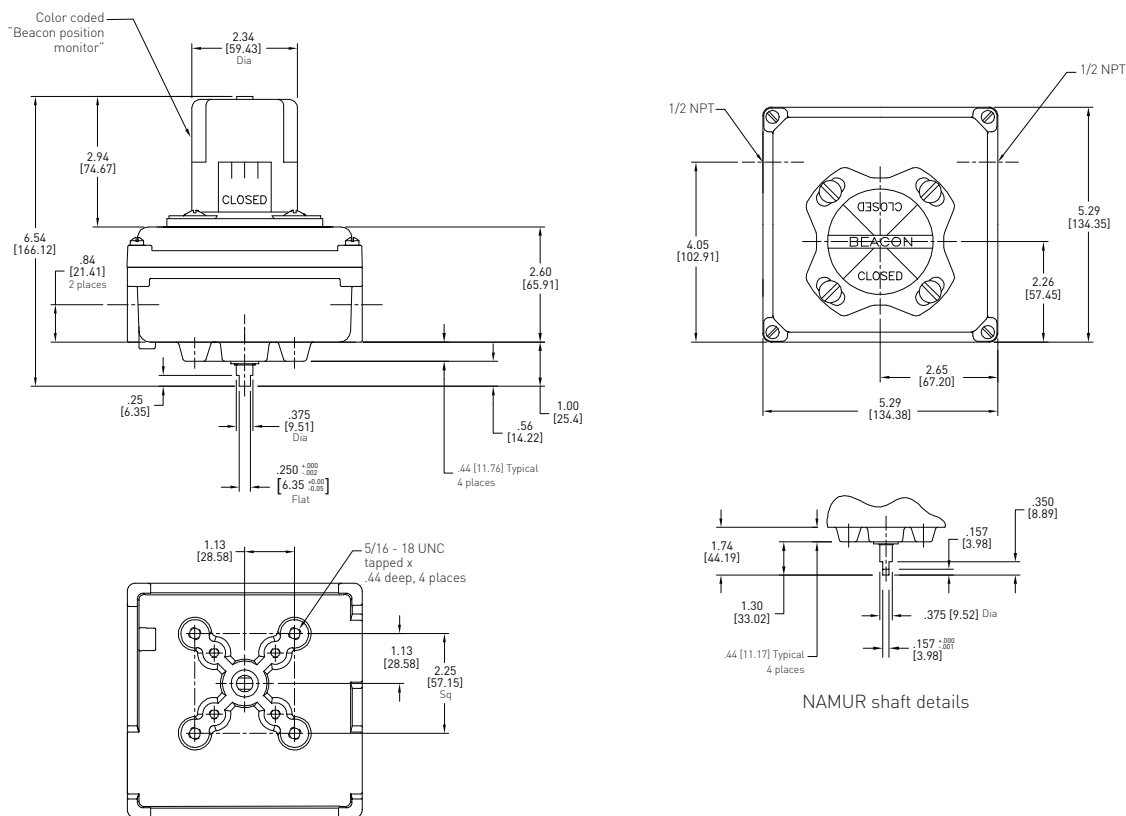
1. See selection guide for standard conduit entries.
2. See switches and sensors data sheet for further information.
3. Please consult your sales office for any other requirements.



ACCUTRAK™ ROTARY POSITION MONITORS

WEATHERPROOF – NEMA

MODELS 2004/9044 DIMENSIONS



Dimensions in inches, where available metric dimension (mm) in parentheses

TECHNICAL SPECIFICATIONS

Materials of construction

Enclosure	Aluminum with powder coat finish
Shaft and hardware	Stainless steel
Bushing	Oil impregnated bronze
Beacon visual indicator	Co-polyester

Drive shaft

Standard	Double-D with 1/4" A/F
Option	NAMUR standard VDI/VDE 3845

Available switches

Model 2004	V3 mechanical switches, SPDT DPDT (Form CC) mechanical switches
Model 9044	Magnum, SPDT hermetically sealed switches with tungsten contacts Magnum, SPDT hermetically sealed switches with rhodium contacts MagPAC bifurcated switch pack

NOTES

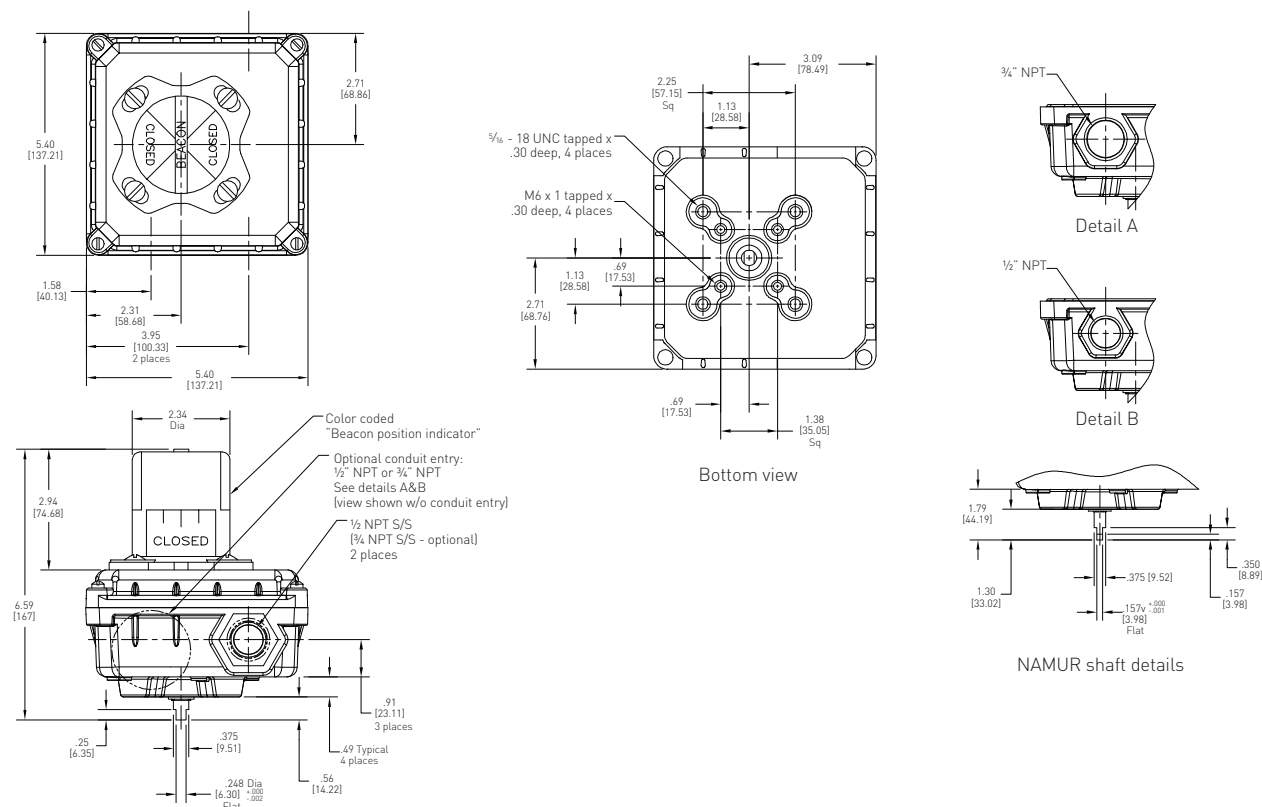
1. See selection guide for standard conduit entries.
2. See switches and sensors data sheet for further information.
3. Please consult your sales office for any other requirements.



ACCUTRAK™ ROTARY POSITION MONITORS

WEATHERPROOF – NEMA

MODEL 9467 DIMENSIONS



Dimensions in inches, where available metric dimension (mm) in parentheses

TECHNICAL SPECIFICATIONS

Materials of construction

Enclosure	Engineered polyamide resin
Shaft and hardware	Stainless steel
Bushing	Nylon
Beacon visual indicator	Co-polyester

Drive shaft

Westlock standard	Double-D with 1/4" A/F
NAMUR standard	NAMUR standard VDI/VDE 3845

Available switches

V3 mechanical, SPDT
V3 mechanical, gold plated contacts, SPDT
DPDT (Form CC) mechanical

Options

4-20 mA position transmitter
Stainless steel enclosure

NOTES

1. See selection guide for standard conduit entries.
2. See switches and sensors data sheet for further information.
3. A specialist eliminator fitting is available for the mounting of an aftermarket solenoid valve.
4. Please consult your sales office for any other requirements.



ACCUTRAK™ WEATHERPROOF ROTARY POSITION MONITORS

MODELS 1040/2004 SELECTION GUIDE

Base model	
1040	Engineered resin enclosure
2004	Aluminum enclosure
Shaft output	
S	Standard (double-D with ¼" Flats)
N	NAMUR
Beacon	
BY	BM2-Y (standard)
RG	BM2-RG (Red Closed/Green Open)
FE	BM2-Y-FE (French/English)
AB	BM2-B
AR	BM2-R
B1	BM3-1
B3	BM3-3
B5	BM3-5
B7	BM3-7
B9	BM3-9
FC	Flat cover
Conduit	
2A	Two ½" NPT (F)
Position switches	
2M02	Two SPDT mechanical switches - 8 pt. TS
2M04	Two DPDT mechanical switches - 16 pt. TS (not available in model 1040)
Analog position transmitter	
00	None
CS	4-20 mA position transmitter (not available in model 1040)
	12 pt. TS w/2M02;
	16 pt. TS w/2M04 and 4M02
2004	N
	BY
	2A
	2M02
	00
= Model number 2004NBY2A2M0200	

NOTES

1. Please contact your sales office for guidance on selecting the best possible combination for your control and monitoring requirements.
2. See Hazardous area classification technical bulletin for further information on global standards.

ACCUTRAK™ WEATHERPROOF ROTARY POSITION MONITORS

MODELS 9358/9044 SELECTION GUIDE

Base model	
9358	Engineered resin enclosure
9044	Aluminum enclosure
Shaft output	
S	Standard (double-D with ¼" Flats)
N	NAMUR
Beacon	
BY	BM2-Y (standard)
RG	BM2-RG (Red Closed/Green Open)
FE	BM2-Y-FE (French/English)
AB	BM2-B
AR	BM2-R
B1	BM3-1
B3	BM3-3
B5	BM3-5
B7	BM3-7
B9	BM3-9
FC	Flat cover
Conduit	
2A	Two ½" NPT (F)
Position switches	
2M06	Two SPDT Magnum switches - 8 pt. TS
2M12	Two SPDT Magnum switches with rhodium contacts - 8 pt. TS
2M13	MagPAC module (Two SPST bifurcated switches with LEDs/available w/9044 only)
Analog position transmitter	
00	Not available
9044	N BY 2A 2M13 00 = Model number 9044NBY2A2M1300

NOTES

1. Please contact your sales office for guidance on selecting the best possible combination for your control and monitoring requirements.
2. See Hazardous area classification technical bulletin for further information on global standards.

ACCUTRAK™ WEATHERPROOF ROTARY POSITION MONITORS

MODEL 9467 SELECTION GUIDE

Base model

9467 Engineered resin enclosure⁽³⁾

Shaft output

S Westlock standard (double-D with ¼" Flats)
 N NAMUR

Beacon

BY BM2-Y (standard)
 RG BM2-RG (Red Closed/Green Open)
 FE BM2-Y-FE (French/English)
 AB BM2-B
 AR BM2-R
 B1 BM3-1
 B3 BM3-3
 B5 BM3-5
 B7 BM3-7
 B9 BM3-9
 FC Flat cover
 LP Low profile

Conduit

2A Two ½" NPT (F)
 2B Two ¾" NPT (F)
 2G One ½" NPT (F) and one ½" NPT (M) eliminator fitting

Position switches

2M02 Two SPDT mechanical switches - 8 pt. TS
 2M04 Two DPDT mechanical switches - 16 pt. TS
 2M09 Two SPDT mechanical switches with gold plated contacts - 8 pt. TS
 4M02 Four SPDT mechanical switches - 16 pt. TS
 4M09 Four SPDT mechanical switches with gold plated contacts - 16 pt. TS

Analog position transmitter

00 None
 CS 4-20 mA position transmitter - 12 pt. TS (with 2M06 and 2M12 only)

9467 N BY 2A 2M02 00 = Model number **9467NBY2A2M0200**

NOTES

1. Please contact your sales office for guidance on selecting the best possible combination for your control and monitoring requirements.
2. See Hazardous area classification technical bulletin for further information on global standards.
3. For stainless steel enclosure, please add '00124' to end of your part number built with the above selection guide.



www.westlockcontrols.com

Westlock. We reserve the right to change designs and specifications without notice.