

**WESTLOCK**  
CONTROLS CORPORATION

**ACCUTRAK ROTARY MODELS:  
1040/9358/2004/9044/9468/5004  
5044/2007/9479/5050  
INSTALLATION AND  
OPERATIONS MANUAL**

<b>IOM: Tech-385</b>		<b>Revision: B</b>	
<b>Prepared By:</b> Herb Tucker	<b>Date:</b> 8/23/05	<b>Drafting Work Order:</b> 19367	<b>ECN: 11813</b>
<b>Reviewed By:</b> Jim Kilian	<b>Date:</b> 12/7/11	<b>Approved By:</b> Tony Paolini	<b>Date:</b> 11/7/11
This IOM contains confidential information and is issued in confidence on the condition that it be returned on demand and not be copied, reproduced, disclosed to others or used in manufacture of the subject matter thereof without the written consent of Westlock Controls			

**WESTLOCK CONTROLS CORPORATION**

280 MIDLAND AVENUE, SADDLE BROOK, NJ 07663 TEL: 201-794-7650 FAX: 201-794-0913

[www.westlockcontrols.com](http://www.westlockcontrols.com)

## Revision History

### Revision

23 Aug, 2005 Initial release • 4/7/10 rev. A • 11/9/10 rev. B

## Westlock Controls Offices

### USA

#### Westlock Controls Corp.

280 North Midland Ave. Saddle Brook, NJ 07663

Phone: (201) 794-7650 • Fax: (201) 794-0913

Email: [westlockinfo@westlockcontrols.com](mailto:westlockinfo@westlockcontrols.com)

Internet: <http://www.westlockcontrols.com>

#### Westlock Service Center

6735 Exchequer Dr.

Suite 100

Baton Rouge, LA 70809

Phone: (225) 296-8118 • Fax: (225) 296-5188

Email: [stevesmith@westlockcontrols.com](mailto:stevesmith@westlockcontrols.com)

### Europe

#### Westlock Controls UK

Chapman Way, Tunbridge Wells

Kent, England TN23EF

Phone: 011-44-189-251-9046 • Fax: 011-441-892-516279

Email: [sales@westlockuk.com](mailto:sales@westlockuk.com)

Internet: <http://www.westlockuk.com>

### South America

#### Westlock Equipamentos De Controles Ltda.

Rua, Sao Paulo 291

Alphaville, Barueri

Sao Paulo, CEP 06465-130

Phone: 011-55-11-7291-0930 • Fax: 011-55-11-7291-0931

Email: [comercial@westlock.com.br](mailto:comercial@westlock.com.br)

Internet: <http://www.westlock.com.br/>

---

## WESTLOCK CONTROLS CORPORATION

280 MIDLAND AVENUE, SADDLE BROOK, NJ 07663 TEL: 201-794-7650 FAX: 201-794-0913

---

[www.westlockcontrols.com](http://www.westlockcontrols.com)

## 1. Introduction

### 1.1. Product Certification

**1040/9358:** CSA Type 4 (Cert. #LR 81057-3)

**2004:** CSA Type 4 (Cert. #LR 81057-7)

**9044:** NEMA 4, 4X (Cert. not applicable)

**9468:** FMc NI/II/2/ABCD/T4 0° C<= Ta<60° Type 4X, 6P, IP67; DIP/II/2/FG/ T4 0°C<=Ta<60°C (Cert. #3036618C)

**5004/5044:** FMc IS/I, II, III/1/ABCDEFGH/T6 Ta=60°C Entity WD-11880, NI/II/2/ABCD/T5 Ta=60°C Entity WD-11880; Entity Parameters for P&F NJ2-V3-N, Vmax=16 V, Imax=25 mA, PI=34 mW, Ci=40 nF, Li=50 µH (Cert. #3008802); NJ2-11-N-G, Vmax=16 V, li=25 mA, PI=34 mW, Ci=30 nF, Li=50 µH

**2007/9479:** FMc XP/II/1/CD/T6 Ta=60°C, DIP/II/1/EFG/T6 TA=60°C; 9479 ONLY: NI/II/2 ABCD/T4 Ta=60°C, Type 4, 4X (Cert. #3029311C)

**5050:** FM XP/II/1/CD/T6 Ta=50°C, DIP/II/1/EFG/T6 Ta=50°C, NI/II/2/ABCD/T4 Ta=50°C, Type 4, 4X (Cert. #3026687)

### 1.2. Warnings



- Never remove enclosure cover or make/break electrical connections with power connected to the unit.
- Perform all wiring in accordance with site and local codes and the National Electric Code ANSI-NFPA-70 (US) or the Canadian Electric Code Part I (Canada) for the appropriate area classifications.
- Confirm that the AccuTrak model being installed is approved for the hazardous area (see Product Certification section above or unit ID label).
- Confirm that supply power to switches is within rated specifications listed on the unit identification label.
- Protect the unit from exposure to aggressive substances or atmospheres to ensure that hazard rating is not compromised.

### 1.3. Description

AccuTrak valve position monitors are intended for use as both visual and electrical position indicators for discrete rotary devices, most commonly pneumatically actuated 2-way quarter-turn or 3-way valves. An AccuTrak monitor is not limited for use in only quarter-turn valve applications, but that application will be assumed for the purpose of this document. In addition to the monitoring features, AccuTrak monitors may serve as wiring junctions for accessories where additional terminals, conduit entries and wiring codes permit.

### 1.4. Principles of Operation

An AccuTrak monitor mounts to an actuator via a mounting kit, usually sold separately. The unit shaft couples to the actuator shaft directly via NAMUR adaptation, or via a coupling provided in the mounting kit. As the actuator

---

## WESTLOCK CONTROLS CORPORATION

280 MIDLAND AVENUE, SADDLE BROOK, NJ 07663 TEL: 201-794-7650 FAX: 201-794-0913

[www.westlockcontrols.com](http://www.westlockcontrols.com)

rotates the unit shaft, adjustable cams on the shaft actuate mechanical or proximity switches inside the unit enclosure, at the limits of rotary travel set by the customer. The switches are pre-wired to a terminal strip in the enclosure, permitting easy connection of switch output to external electrical monitoring systems or indication devices. The visual Beacon indicator on the enclosure cover indicates 90° rotary travel between OPEN and CLOSED valve positions, unless ordered optionally for other angular strokes or 3-way valve applications.

### 1.5. **Special Features/Conditions**

To avoid build-up and discharge of static electricity in a hazardous area, only clean Westlock units with a static-free cloth dampened with water. Avoid the use of alcohol-based cleaners.

## 2. **Ordering**

Ordering guides for all AccuTrak product series covered by this IOM are available through a local Westlock distributor, the current Westlock Controls catalog literature or the Westlock Controls website at [www.westlockcontrols.com](http://www.westlockcontrols.com). Spare parts lists for refurbishments or repairs are also available for common AccuTrak models.

## 3. **Definitions**

**NAMUR-** This term, in the context of mounting brackets and shafts, refers to the NAMUR VDI/VDE 3845 standard for the dimensions of actuator output shafts and auxiliary equipment mounting hole patterns. In the context of inductive proximity sensors, NAMUR refers to conformance of the sensor to DIN 19 234, allowing its use with any NAMUR style amplifier/isolator.

**Switch-** A manual or mechanically actuated device for making, breaking or changing the connections in an electric circuit. This term will be used also for magnetic or inductive proximity sensors for the purpose of this document.

## 4. **Installation**

### 4.1. ***Mounting Instructions***

Required Tools: Open-end wrenches or adjustable wrench to fit all sizes of hex head bolts in the mounting kit.

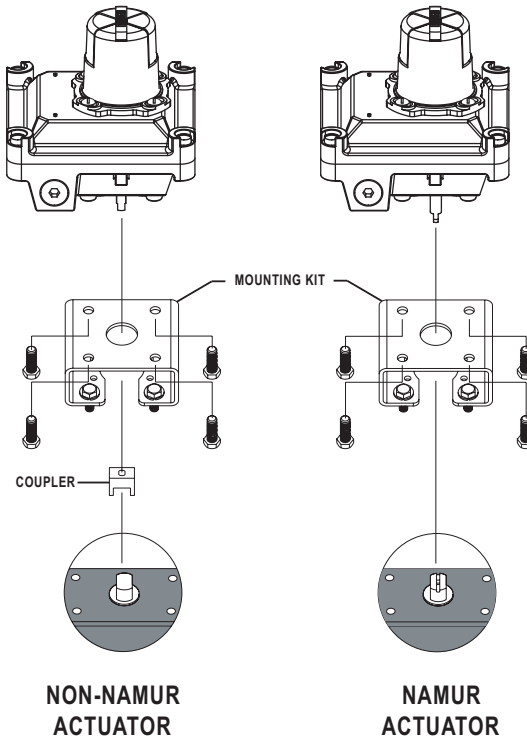
1. Obtain a mounting kit suited for the actuator/valve, commonly available through a local Westlock Controls distributor.
2. Attach the mounting bracket and coupler (if required) to the unit housing with the hardware provided.
3. Attach the unit and mounting system to the actuator.
4. Ensure proper axial alignment between unit shaft, coupler and actuator shaft. Failure to ensure alignment could result in long-term stress-related failure of unit shaft in high cycle or high torque applications.

---

## **WESTLOCK CONTROLS CORPORATION**

280 MIDLAND AVENUE, SADDLE BROOK, NJ 07663 TEL: 201-794-7650 FAX: 201-794-0913

[www.westlockcontrols.com](http://www.westlockcontrols.com)



#### 4.2. Calibration

Consult factory or a Westlock distributor for setting procedures of units with six switches or four switches and transmitter.

**Note 1:** Switch actuation can be confirmed using a signal detection device such as a multimeter or ohmmeter, set for “continuity”.

**Note 2:** For NAMUR P+F NJ2-V3-N type sensors, use test meter, P+F model #1-1350 or equivalent to check sensor actuation and calibration. If the proper meter is not available, contact the factory for additional assistance with the test procedure.

**Note 3:** Adjust cams by hand by pushing/pulling the cam against the shaft spring to disengage from the mating spline, rotating to adjust and re-engaging firmly onto spline.

**Required Tools:** Signal detection device (see note 1); slotted screw drivers for cover screws (M4, #10 or 5/16 by model)

#### Switch Adjustment (two switches):

1. Remove unit cover as follows: loosen (but do not remove) captive screws, rotate cover slightly to grip corners, pull firmly.  
DO NOT PRY COVER WITH TOOLS.
2. With valve in the closed position, adjust bottom cam until bottom switch (#2) actuates.

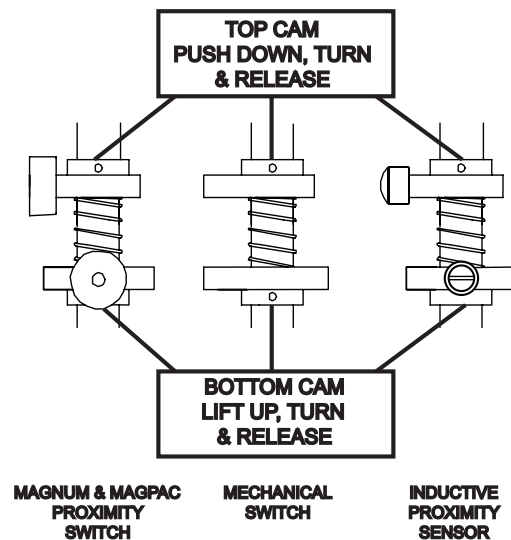
---

### WESTLOCK CONTROLS CORPORATION

280 MIDLAND AVENUE, SADDLE BROOK, NJ 07663 TEL: 201-794-7650 FAX: 201-794-0913

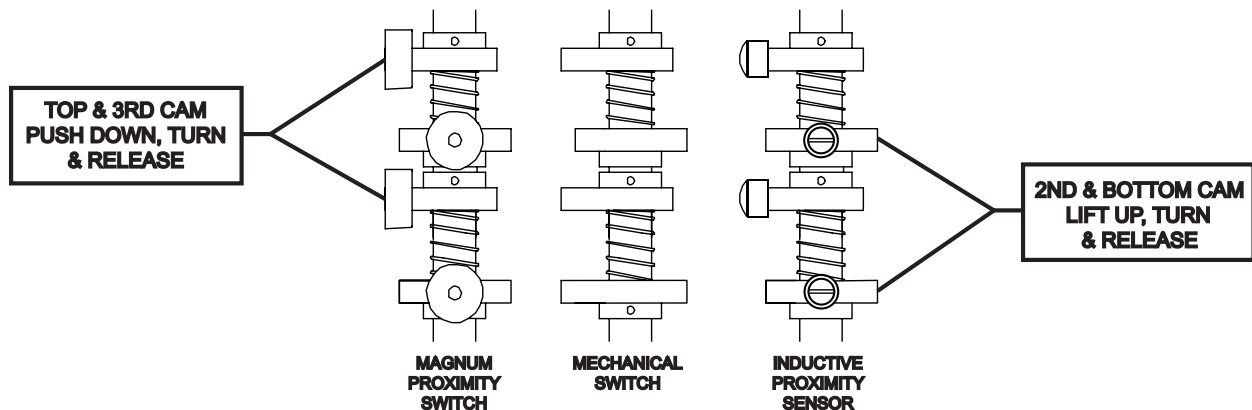
[www.westlockcontrols.com](http://www.westlockcontrols.com)

3. Stroke valve to the open position, adjust top cam until top switch (#1) actuates.
4. Cycle actuator several times to confirm proper switch indication at each end of stroke. Finely adjust cams if necessary.
5. Skip to Field Wiring section or replace unit cover, applying approximately 20 in-lbs of torque to cover screws.



**Switch Adjustment (four switches, no CS transmitter):**

Follow steps as above for the calibration of two switches but adjust the first and third cams from the top for switches #1 and #2 and the second and fourth cams from the top for switches #3 and #4 (see illustration below).



**Transmitter setting (optional CS transmitter):**

For the calibration of optional current signal (CS) transmitter, see Westlock Controls Installation/Operations Manual TECH-301, available through your local sales representative or at [www.westlockcontrols.com](http://www.westlockcontrols.com).

**Beacon Adjustment:**

---

**WESTLOCK CONTROLS CORPORATION**

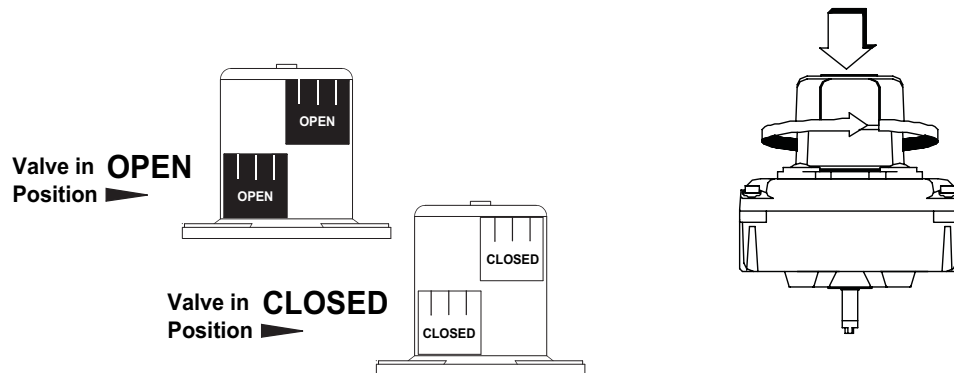
280 MIDLAND AVENUE, SADDLE BROOK, NJ 07663 TEL: 201-794-7650 FAX: 201-794-0913

[www.westlockcontrols.com](http://www.westlockcontrols.com)

Note: Skip this step if cover is flat or Beacon already displays the correct valve status.

Required Tools: slotted screw driver for #12 screws.

1. For two-way OPEN/CLOSED: remove, rotate and re-fasten outer beacon to synchronize displayed position with valve position.
2. For three-way flow paths: remove, rotate and re-fasten outer beacon and/or inner beacon coupler to synchronize displayed flow path with valve/actuator flow path.



## 5. Field Wiring



WARNING

See the warnings section of this document for important warnings pertaining to the wiring of AccuTrak units. Remove and replace cover before and after wiring, per instructions given in the Switch Adjustment section above.

Required Tools: slotted screw drivers for terminal strip screws (#2), cover screws (M4, #10 or 5/16 by model), and grounding screw (#8 or M4 by model); wire strippers as required for field wires.

1. Wire the AccuTrak monitor strictly according to the wiring diagram on the inside of the enclosure cover.
2. Confirm that the ground wire is secure under the green grounding screw in the enclosure.
3. Seal all unused conduit entries as required with suitably certified plugs having an ingress protection rating of IP67 or better.
4. Ensure that only suitably certified cable glands are used, having an ingress protection rating of IP67 or better.
5. Ensure that the temperature rating of all field wiring meets the service temperature range of the application.

## 6. Maintenance and Repair



ATTENTION

Maintenance or repair of Westlock equipment must only be done by Westlock Controls or by qualified personnel that are knowledgeable about the installation of electromechanical equipment in hazardous areas. All parts

**WESTLOCK CONTROLS CORPORATION**

280 MIDLAND AVENUE, SADDLE BROOK, NJ 07663 TEL: 201-794-7650 FAX: 201-794-0913

[www.westlockcontrols.com](http://www.westlockcontrols.com)

needed for repairs or maintenance must be purchased through a Westlock Controls authorized distributor to maintain warranty and to ensure the safety and compliance of the equipment.

No routine maintenance of Westlock AccuTrak units is recommended when units are installed in environments for which they are designed. Severe environments may warrant regular replacement of field units every two to five years for maximum performance and safety.

### **Troubleshooting**

#### ***Problem: No signal at the control device***

- Check that power supply to the loop is functioning correctly and adequate to power all devices on the loop;
- Check that power being supplied to switches is within the rated specifications;
- Check wiring integrity immediately at the connection to the control device;
- Check field wiring coming into the AccuTrak terminal strip for proper connection and good wire preparation practices (approximately ¼" of insulation removed and all strands intact);
- Check that field wiring is no larger than 12AWG for proper fit in terminal strip and compliance with terminal strip rating;
- Check that wiring integrity is good between switches and terminal strip;
- Check that cams are set to trigger switches properly in each valve position (see Switch Adjustment section under installation);
- Use multimeter set for "continuity" to check for failed switch; observe continuity between common and normally open when triggered and between common normally closed when not triggered.

#### ***Problem: Beacon does not display the correct flow path***

Reset Beacon per the Beacon Adjustment section under Calibration.

#### ***Problem: Unit appears to be binding during valve stroke or unit shaft has broken***

Carefully measure and adjust axial alignment of unit shaft, coupler and actuator shaft to eliminate lifting or twisting of the coupler during travel.

#### ***Problem: Unit has signs of moisture ingress***

- Check torque on cover screws
- Check gaskets and sealing surfaces for debris and clean if necessary
- Check that conduit connections are properly sealed, including gland fittings and quick-disconnect receptacles
- Check that conduit pipes are properly pitched to direct condensing moisture away from units
- Check that all unused conduit entries are properly sealed with suitably certified plugs having an ingress protection rating of IP67 or better.

---

## **WESTLOCK CONTROLS CORPORATION**

280 MIDLAND AVENUE, SADDLE BROOK, NJ 07663 TEL: 201-794-7650 FAX: 201-794-0913

[www.westlockcontrols.com](http://www.westlockcontrols.com)