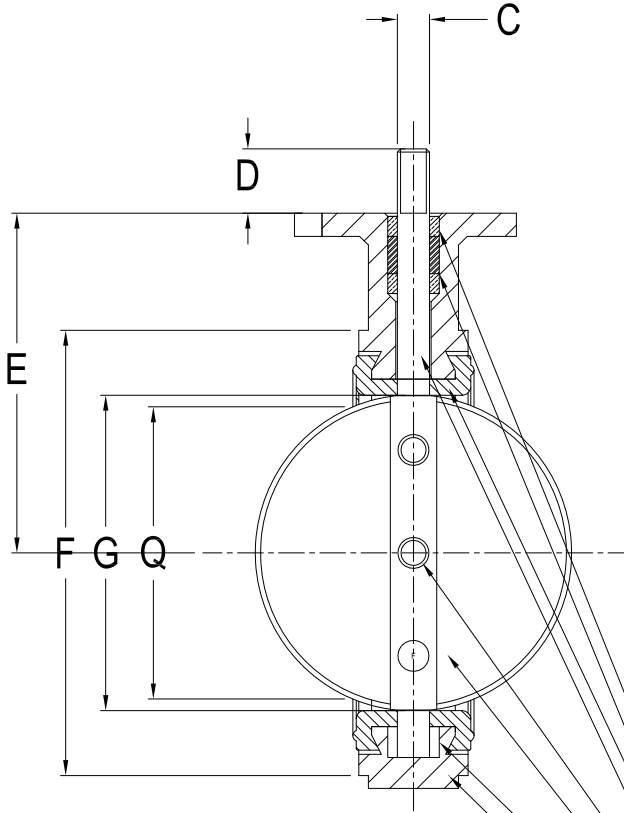
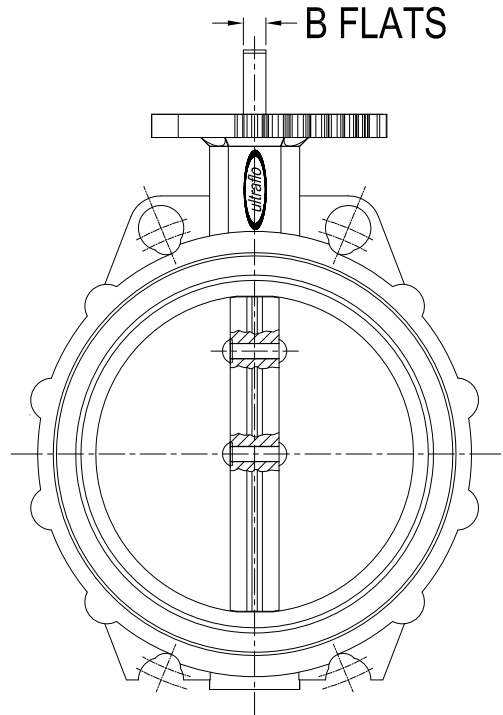
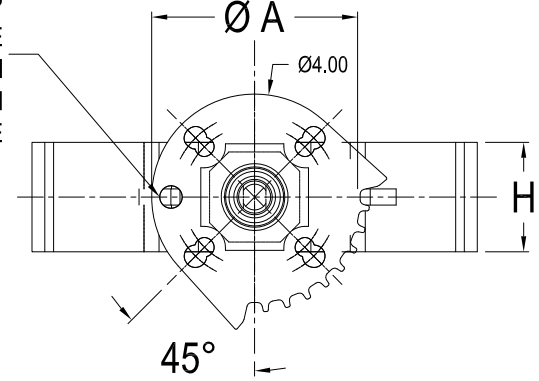


ATTENTION PLEASE CHECK THE ULTRAFLO WEBSITE AT www.ultraflovalve.com TO ENSURE YOU HAVE THE MOST RECENT COPY OF THIS DOCUMENT

NOTES:

1. ALL DIMENSIONS IN INCHES
2. VALVE WITH FULLCUT DISC CARRIES A PRESSURE RATING OF 150 P.S.I.
3. VALVE O.D. AND FLANGE BOLT CIRCLE MUST SHARE COMMON CENTER LINE. VALVE DESIGN TO BE PLACED BETWEEN ANSI 125 OR 150 LB FLANGES (NOT FOR USE WITH ASA 250 OR 300 LB FLANGES).
4. Q DIMENSION: IS THE MINIMUM FLANGE OR PIPE I.D. TOLERABLE FOR PROTECTION OF DISC SEALING EDGE WHILE OPERATING BETWEEN FLANGES.

2"-6" HAVE AN ADDITIONAL 5TH HOLE DRILLED IN TOP PLATE THAT WILL ENABLE VALVE TO BE LOCKED IN THE CLOSED POSITION WHEN USING A LOCKING HANDLE



COMPONENT	NUMBER	MATERIAL
STEM SEAL	2	
STEM BUSHING TOP	1	
SEAT	1	
STEM	1	
RIVET AND O-RING	2	
DISC	1	
STEM BUSHING BOTTOM	1	
BODY	1	

SIZE	VALVE DIMENSIONS										TOP PLATE DRILLING					
	A	B	C	D	E	F	G	H	Q	WT. LBS	ISO DRILLING			STD DRILLING		
	HOLES	HOLE DIA.	B. CIRCLE	HOLES	HOLE DIA.	B. CIRCLE	HOLES	HOLE DIA.	B. CIRCLE	HOLES	HOLE DIA.					
3	4.500	.375	.563	1.250	5.000	5.375	3.125	1.750	2.689	3.25	2.760	4	.375	3.250	4	.438
4	4.500	.438	.625	1.250	6.000	6.875	4.125	2.000	3.719	5.75	2.760	4	.375	3.250	4	.438
5	4.500	.438	.625	1.250	6.000	7.750	5.188	2.125	4.813	7.25	2.760	4	.375	3.250	4	.438
6	4.500	.438	.625	1.250	6.625	8.750	6.125	2.125	5.813	9.50	2.760	4	.375	3.250	4	.438

ZONE	REV	DATE	BY	APP'D	ECN	DESCRIPTION
A4	4	03/13/14	TAL	JPL		.375 WAS .438; .563 WAS .625
A2	3	11-06-13	CJH	CJH	727	CORRECTED WEIGHTS ADDED PACKING
B1	2	05/06/10	DSS	CJH	374	REMOVED MATERIALS
A1	1	10/25/07	DSS	CJH		UPDATED TITLEBLOCK

ultraflo Ultraflo Corporation
 A Subsidiary of Bray International, Inc.
 #8 Trautman Ind. Dr.
 Ste. Genevieve, Mo.
 63670 800-950-1762

NAME	DATE	3" TO 6" 480 RAILCAR VALVE
DRAWN BY: TJM	02/03/04	
CHECKED BY: TJM	02/03/04	

PART: 480 ALUMINUM VALVE WAFER BODY, SS DISC
 EPDM, NITRILE, OR NATURAL RUBBER SEAT
 ECN: DWG: 480-1