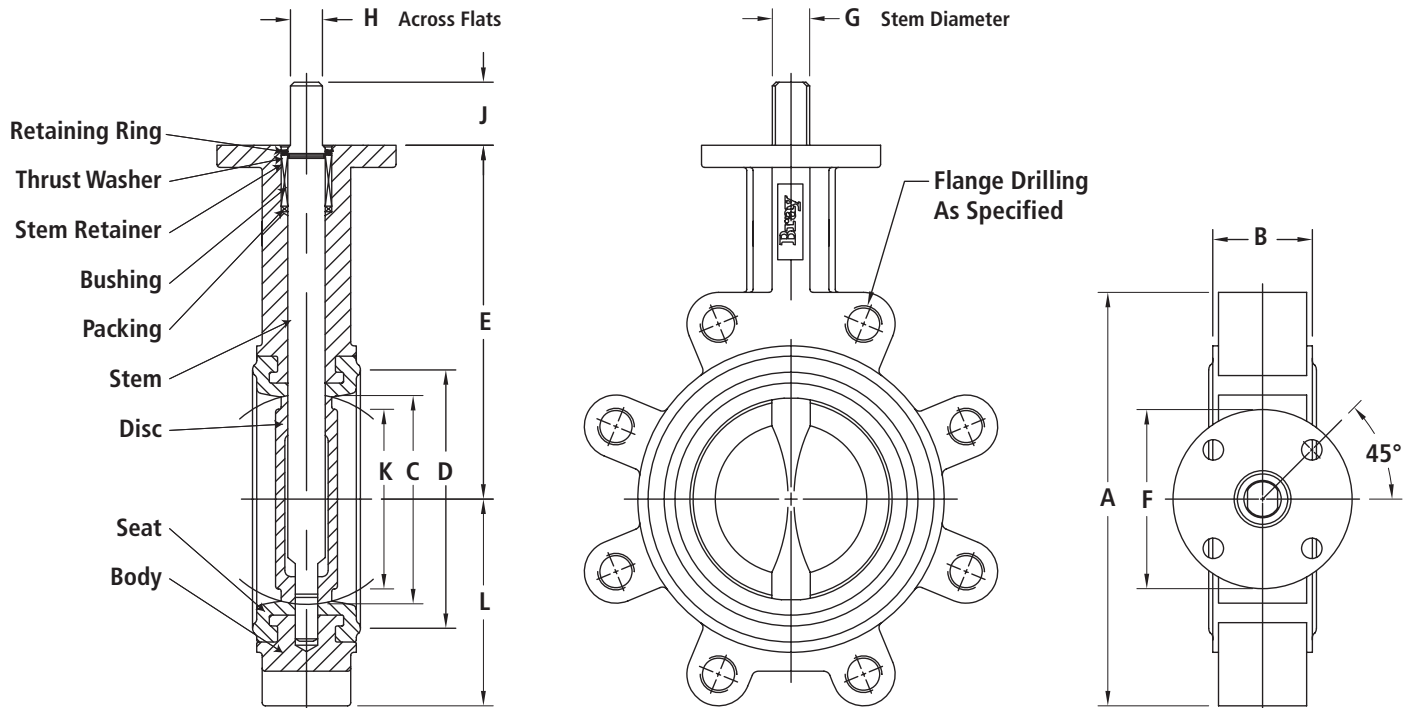


Series 31H Lug



IMPERIAL DIMENSIONS: Inches

| Valve Size | A | B | C | D | E | F | Top Plate Drilling | | | G | H | J | K | L | Adapter Code | Weight (lbs) | Lug Bolting Data | | |
|------------|-------|------|-------|-------|-------|------|--------------------|-------------|---------------|------|-----|------|-------|------|--------------|--------------|------------------|-------------|--------------------|
| | | | | | | | BC | No of Holes | Hole Diameter | | | | | | | | Bolt Circle | No of Holes | Threads ISO Coarse |
| | | | | | | | | | | | | | | | | | | | |
| 2 | 3.69 | 1.62 | 2.00 | 2.84 | 5.50 | 3.54 | 2.76 | 4 | .39 | .55 | .39 | 1.25 | 1.32 | 2.30 | A | 7.0 | 4.75 | 4 | 5/8-11 |
| 2½ | 4.19 | 1.75 | 2.50 | 3.34 | 6.00 | 3.54 | 2.76 | 4 | .39 | .55 | .39 | 1.25 | 1.91 | 2.57 | A | 8.0 | 5.50 | 4 | 5/8-11 |
| 3 | 4.88 | 1.75 | 3.00 | 4.03 | 6.25 | 3.54 | 2.76 | 4 | .39 | .55 | .39 | 1.25 | 2.55 | 2.81 | A | 9.0 | 6.00 | 4 | 5/8-11 |
| 4 | 6.06 | 2.00 | 4.00 | 5.16 | 7.00 | 3.54 | 2.76 | 4 | .39 | .63 | .43 | 1.25 | 3.57 | 4.09 | B | 15.0 | 7.50 | 8 | 5/8-11 |
| 5 | 7.12 | 2.12 | 5.00 | 6.16 | 7.50 | 3.54 | 2.76 | 4 | .39 | .75 | .51 | 1.25 | 4.63 | 4.61 | C | 20.0 | 8.50 | 8 | 3/4-10 |
| 6 | 8.12 | 2.12 | 5.75 | 7.02 | 8.00 | 3.54 | 2.76 | 4 | .39 | .75 | .51 | 1.25 | 5.45 | 5.06 | C | 23.0 | 9.50 | 8 | 3/4-10 |
| 8 | 10.50 | 2.50 | 7.75 | 9.47 | 9.50 | 5.91 | 4.92 | 4 | .57 | .87 | .63 | 1.25 | 7.45 | 6.05 | D | 42.0 | 11.75 | 8 | 3/4-10 |
| 10 | 12.75 | 2.50 | 9.75 | 11.47 | 10.72 | 5.91 | 4.92 | 4 | .57 | 1.18 | .87 | 2.00 | 9.53 | 7.69 | E | 66.0 | 14.25 | 12 | 7/8-9 |
| 12 | 14.88 | 3.00 | 11.75 | 13.47 | 12.25 | 5.91 | 4.92 | 4 | .57 | 1.18 | .87 | 2.00 | 11.47 | 9.02 | E | 88.0 | 17.00 | 12 | 7/8-9 |

Note: K dimension is disc chordal dimension at valve face.

METRIC DIMENSIONS: Millimeters

| Valve Size | A | B | C | D | E | F | Top Plate Drilling | | | G | H | J | K | L | Adapter Code | Weight (Kg) | Lug Bolting Data | | |
|------------|-----|------|-----|-----|-----|-----|--------------------|-------------|---------------|----|----|----|-----|-----|--------------|-------------|------------------|-------------|--------------------|
| | | | | | | | BC | No of Holes | Hole Diameter | | | | | | | | Bolt Circle | No of Holes | Threads ISO Coarse |
| | | | | | | | | | | | | | | | | | | | |
| 50 | 94 | 41.2 | 51 | 72 | 140 | 90 | 70 | 4 | 10 | 14 | 10 | 32 | 34 | 58 | A | 3 | 121 | 4 | 5/8-11 |
| 65 | 106 | 44.5 | 64 | 85 | 152 | 90 | 70 | 4 | 10 | 14 | 10 | 32 | 49 | 65 | A | 3.6 | 140 | 4 | 5/8-11 |
| 80 | 124 | 44.5 | 76 | 102 | 159 | 90 | 70 | 4 | 10 | 14 | 10 | 32 | 65 | 71 | A | 4.1 | 152 | 4 | 5/8-11 |
| 100 | 154 | 50.8 | 102 | 131 | 178 | 90 | 70 | 4 | 10 | 16 | 11 | 32 | 91 | 104 | B | 7 | 191 | 8 | 5/8-11 |
| 125 | 181 | 54.0 | 127 | 156 | 191 | 90 | 70 | 4 | 10 | 19 | 13 | 32 | 118 | 117 | C | 9 | 216 | 8 | 3/4-10 |
| 150 | 206 | 54.0 | 146 | 178 | 203 | 90 | 70 | 4 | 10 | 19 | 13 | 32 | 138 | 129 | C | 10 | 241 | 8 | 3/4-10 |
| 200 | 267 | 63.5 | 197 | 241 | 241 | 150 | 125 | 4 | 14 | 22 | 16 | 32 | 189 | 154 | D | 19 | 298 | 8 | 3/4-10 |
| 250 | 324 | 63.5 | 248 | 291 | 272 | 150 | 125 | 4 | 14 | 30 | 22 | 51 | 242 | 195 | E | 30 | 362 | 12 | 7/8-9 |
| 300 | 378 | 76.2 | 298 | 342 | 311 | 150 | 125 | 4 | 14 | 30 | 22 | 51 | 291 | 229 | E | 40 | 432 | 12 | 7/8-9 |

Note: K dimension is disc chordal dimension at valve face.

Drawings are for reference only. Please refer to Bray ES drawings on the Bray website, www.bray.com. Bray reserves the right to change product dimensions without notice.

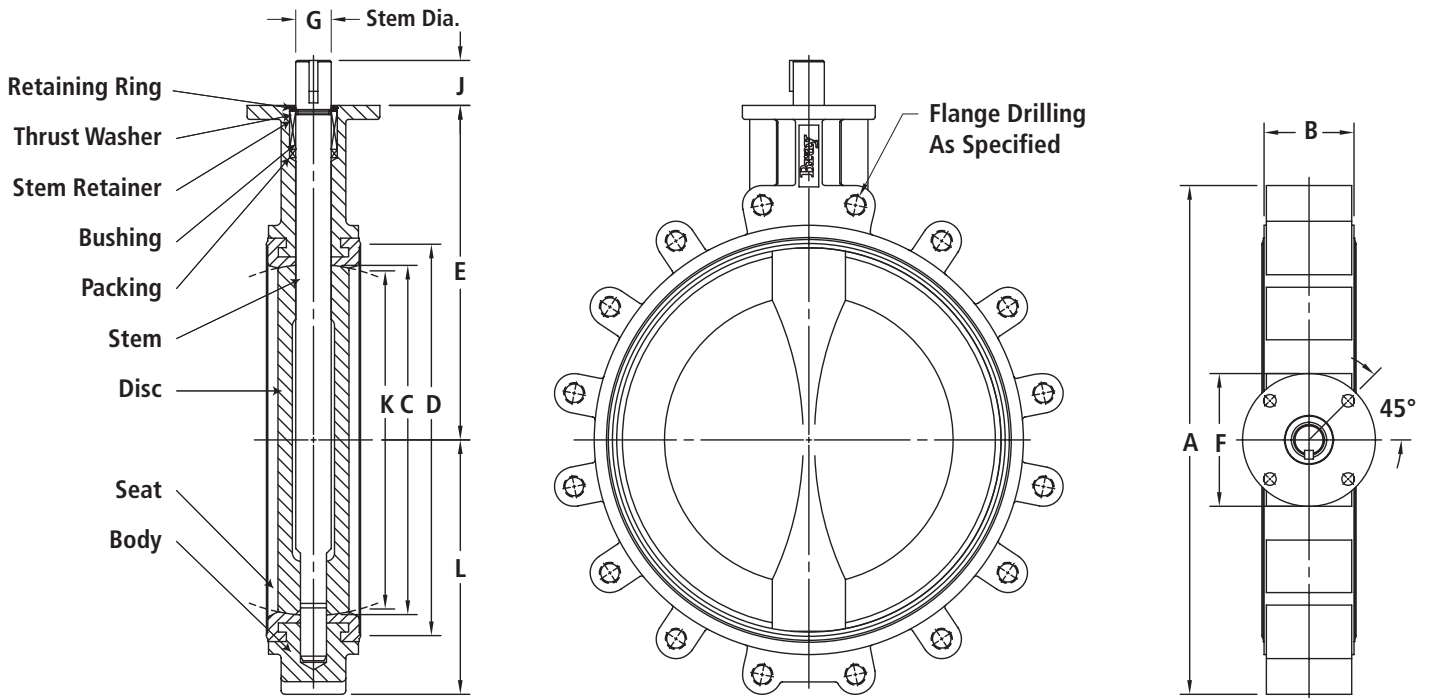
SR Drawing #31H-2/12-in

Customer/Project: _____

Inquire/P.O. No.: _____

Bray Order No.: _____

Series 31H Lug



IMPERIAL DIMENSIONS: Inches

| Valve Size | A | B | C | D | E | F | Top Plate Drilling | | | G | J | Key Size | K | L | Adapter Code | Weight (lbs) | Lug Bolting Data | | |
|------------|-------|------|-------|-------|-------|------|--------------------|-------------|---------------|------|------|----------|-------|-------|--------------|--------------|------------------|-------------|--------------------|
| | | | | | | | BC | No of Holes | Hole Diameter | | | | | | | | Bolt Circle | No of Holes | Threads ISO Coarse |
| | | | | | | | | | | | | | | | | | | | |
| 14 | 16.94 | 3.00 | 13.25 | 15.28 | 13.62 | 5.91 | 4.92 | 4 | .57 | 1.38 | 2.00 | .39x.39 | 13.04 | 9.93 | F | 114 | 18.75 | 12 | 1-8 |
| 16 | 19.06 | 4.00 | 15.25 | 17.41 | 14.75 | 5.91 | 4.92 | 4 | .57 | 1.38 | 2.00 | .39x.39 | 14.85 | 11.30 | F | 166 | 21.25 | 16 | 1-8 |
| 18 | 21.12 | 4.25 | 17.25 | 19.47 | 16.00 | 8.27 | 6.50 | 4 | .81 | 1.97 | 2.50 | .47x.39 | 16.85 | 12.16 | G | 226 | 22.75 | 16 | 1 1/8-7 |
| 20 | 23.25 | 5.00 | 19.25 | 21.59 | 17.25 | 8.27 | 6.50 | 4 | .81 | 1.97 | 2.50 | .47x.39 | 18.73 | 14.00 | G | 305 | 25.00 | 20 | 1 1/8-7 |

Note: K dimension is disc chordal dimension at valve face.

METRIC DIMENSIONS: Millimeters

| Valve Size | A | B | C | D | E | F | Top Plate Drilling | | | G | J | Key Size | K | L | Adapter Code | Weight (Kg) | Lug Bolting Data | | |
|------------|-----|-------|-----|-----|-----|-----|--------------------|-------------|---------------|----|----|----------|-----|-----|--------------|-------------|------------------|-------------|--------------------|
| | | | | | | | BC | No of Holes | Hole Diameter | | | | | | | | Bolt Circle | No of Holes | Threads ISO Coarse |
| | | | | | | | | | | | | | | | | | | | |
| 350 | 430 | 76.2 | 337 | 388 | 346 | 150 | 125 | 4 | 14 | 35 | 51 | 10x10 | 331 | 252 | F | 52 | 476 | 12 | 1-8 |
| 400 | 484 | 101.6 | 387 | 442 | 375 | 150 | 125 | 4 | 14 | 35 | 51 | 10x10 | 377 | 287 | F | 75 | 540 | 16 | 1-8 |
| 450 | 536 | 108.0 | 438 | 495 | 406 | 210 | 165 | 4 | 21 | 50 | 64 | 12x10 | 428 | 309 | G | 103 | 578 | 16 | 1 1/8-7 |
| 500 | 591 | 127.0 | 489 | 548 | 438 | 210 | 165 | 4 | 21 | 50 | 64 | 12x10 | 476 | 356 | G | 138 | 635 | 20 | 1 1/8-7 |

Note: K dimension is disc chordal dimension at valve face.

Drawings are for reference only. Please refer to Bray ES drawings on the Bray website, www.bray.com. Bray reserves the right to change product dimensions without notice.

Inquire/P.O. No.: _____

Bray Order No.: _____

SR Drawing #31H-14/20-in

Customer/Project: _____